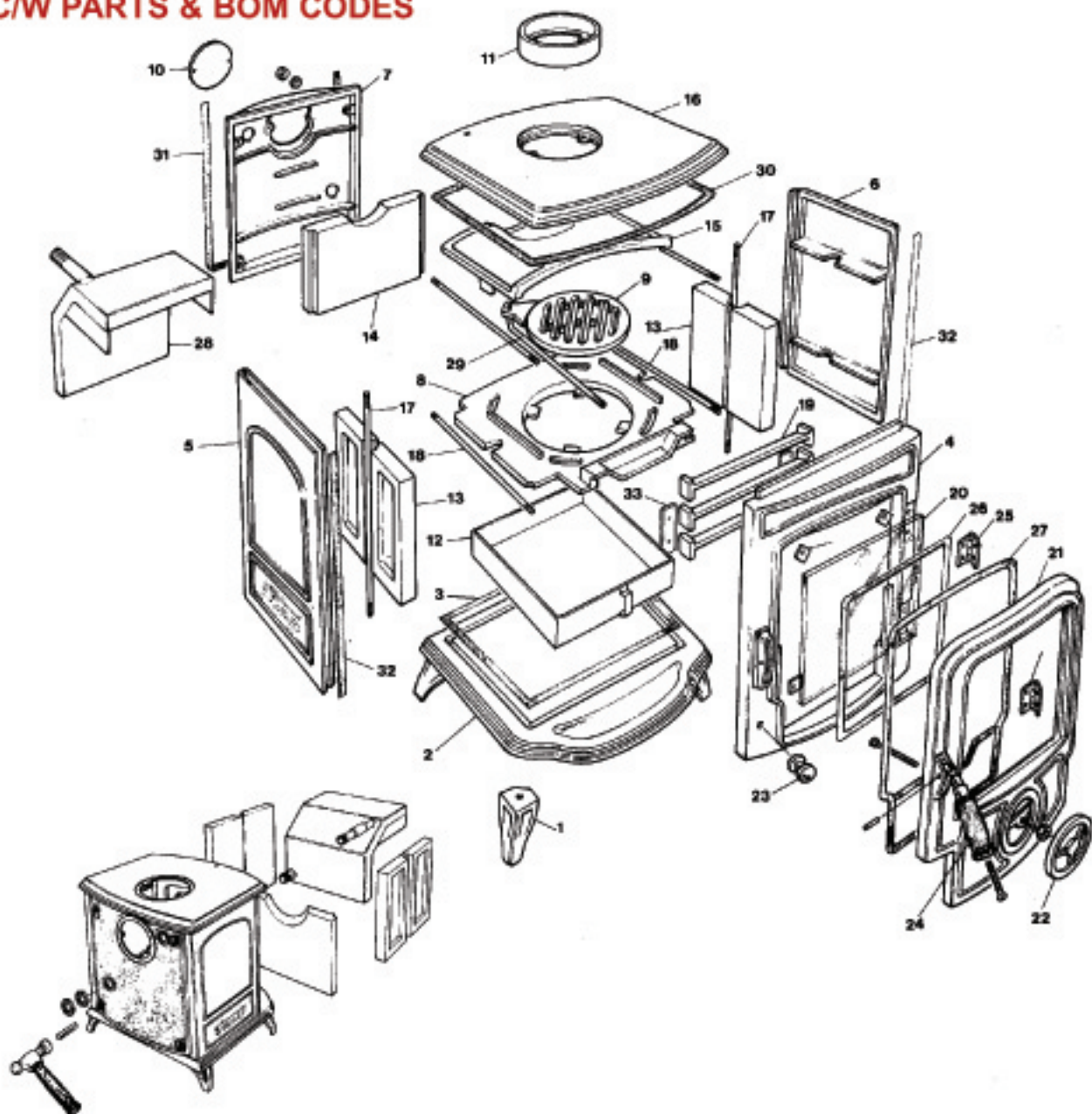


STANLEY

TURNING YOUR HOUSE INTO A HOME

OISIN SOLID FUEL EXP VIEW C/W PARTS & BOM CODES



1. Legs - B00511AZZ (LONG) / B00001AZZ (SHORT)

2. Base - B00002AZZ

3. Base Sealing Tape - Consumable

4. Front - B00003AZZ

5. Left Hand Side - B00004BZZ

6. Right Hand Side - B00005BZZ

7. Back Plate - Q00576BXX

8. Grate Base Plate - Q00001BXX

9. Grate - Z00025BXX

10. Outlet Blank - B00006AZZ

11. Flue Spigot - B00007AZZ

12. Ashpan - F00001AXX

13. Side Bricks - H00001AXX

14. Back Brick - H00002AXX

15. Top Baffle - Q00003XX

16. Hob - B00008BZZ

17. Long Tie Bolts - V00052AXX

18. Short Tie Bolts - V00053AXX

19. Fire Fence Bars - Q00005AXX

20. Door Glass - T00001AXX

21. Door - B00010BZZ

22. Spin Valve - B00012AZZ

23. Grate Shaker Control Knob - U00001AXX

24. Door Handle - U00009AXX

25. Door Hinges - U00010AXX

26. Door Glass Sealing Tape - Consumable

27. Door Sealing Rope - Consumable

28. Optional Boiler - F00015AXX

29. Grate Shaker Connecting Rod - V00001AXX

30. Hob Sealing Rope - Consumable

31. Back Plate Sealing Rope - Consumable

32. Side Plate Sealing Rope - Consumable

33. Fire Fence Retainers - Q00006AXX

34. Door Catch - V00002AXX

35. Glass Clips - F00003AXX

36. Door Latch C/P - V00003AXX