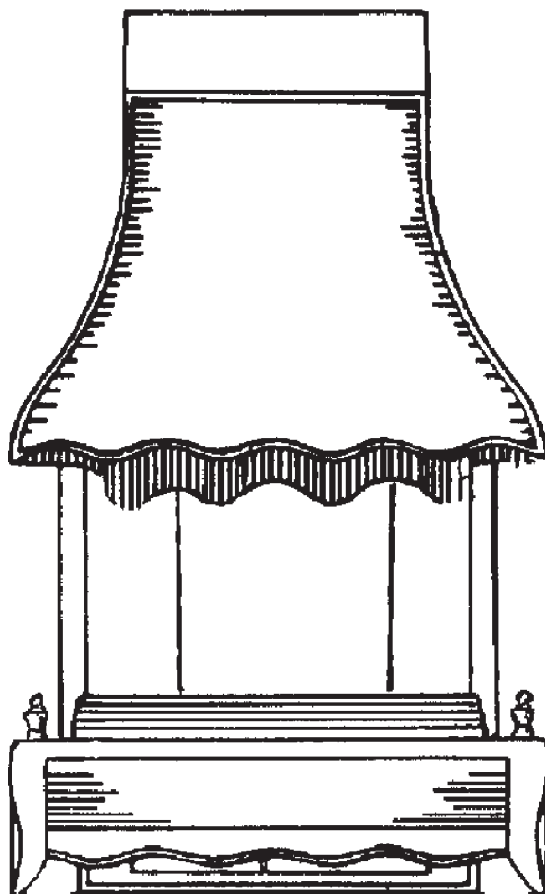




Rembrandt 18" Open Fire



This appliance is hot whilst in operation and retains its heat for a long period of time after use. Children, aged or infirm persons should be supervised at all times and should not be allowed to touch the hot working surfaces while in use or until the appliance has thoroughly cooled.

INSTALLATION AND OPERATING INSTRUCTIONS

To ensure safety, satisfaction and reliable service **this appliance should be installed by a suitably qualified and competent person.**

TABLE OF CONTENTS

	PAGE NO.
Operating Instructions	3
Consumer Protection	3
Recommended Fuels	3
Lighting the Fire	3
Air Control and Attention to the Fire	3
Chimney Control	3
Overnight Burning	4
Ash	4
Chimney Sweeping	4
Chimney Fires	4
Installation Instructions	5
Performance	5
The Chimney	5
Existing Chimney	5
New Chimney	5
Factory Made Insulated Chimneys	5
Chimney Terminations	6
Preparation of Builders Recess Opening	6
Air Supply	6
Air Extract Fans	7
Testing and Commissioning	7
Installation	7
Commissioning	8
Testing after Commissioning	8

OPERATING INSTRUCTIONS

Consumer Protection

As responsible manufacturers we take care to make sure that our products are designed and constructed to meet the required safety standards when properly installed and used.

IMPORTANT NOTICE: PLEASE READ THE ACCOMPANYING WARRANTY. Any alteration that is not approved by Aga could invalidate the approval of the appliance, operation of the warranty and could affect your statutory rights.

Control of Substances - Health & Safety Important

This appliance may contain some of the materials that are indicated below. It is the Users/Installers responsibility to ensure that the necessary personal protective clothing is worn when handling where applicable, the pertinent parts that contain any of the listed materials that could be interpreted as being injurious to health and safety, see below for information.

Firebricks, Fuel beds, Artificial Fuels - when handling use disposable gloves.

Fire Cement - when handling use disposable gloves.

Glues and Sealants - exercise caution - if these are still in liquid form use face mask and disposable gloves.

Glass Yarn, Mineral Wool, Insulation Pads, Ceramic Fibre, Kerosene Oil - may be harmful if inhaled, may be irritating to skin, eyes, nose and throat, When handling avoid inhaling and contact with skin or eyes. Use disposable gloves, face-masks and eye protection. After handling, wash hands and other exposed parts. When disposing of the product, reduce dust with water spray and ensure that parts are securely wrapped.

RECOMMENDED FUELS

Welsh Dry Steam Coal (Large Nuts), House Coal - Trebles or Doubles.

Manufactured smokeless fuels such as Coalite, Homefire, Homefire Ovals, Newflame and Supacite.

IT IS NOT RECOMMENDED TO BURN WOOD.

IMPORTANT: FUELS SHOULD BE ADEQUATE IN SIZE. FUEL SMALLER THAN 1" DOES NOT GIVE SATISFACTORY RESULTS. FUEL SHOULD BE KEPT DRY AND STORED UNDER COVER.

PETROLEUM COKE SHOULD NOT BE USED.

LIGHTING THE FIRE

Pull the lever on the right of the hood towards you, see Fig. 1. This opens the throat restrictor. Slide lever at the bottom of the fire front to the left, see Fig. 2. Light the fire in the usual way.

AIR CONTROL AND ATTENTION TO THE FIRE

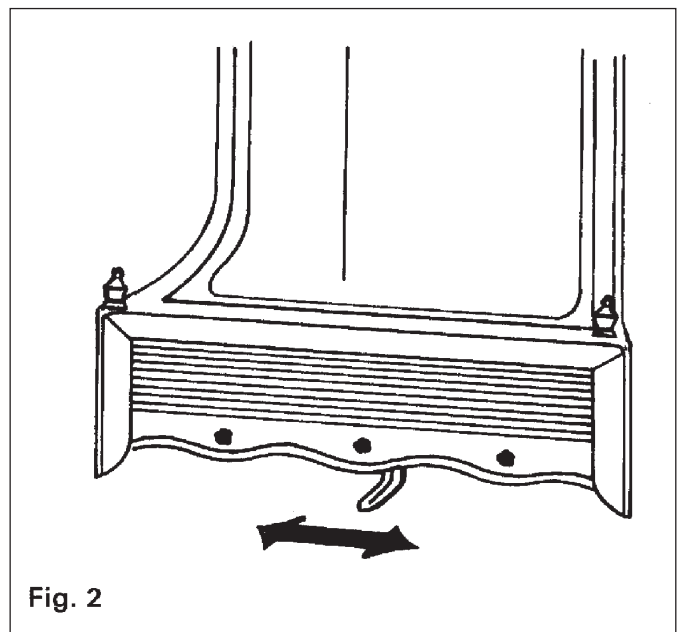
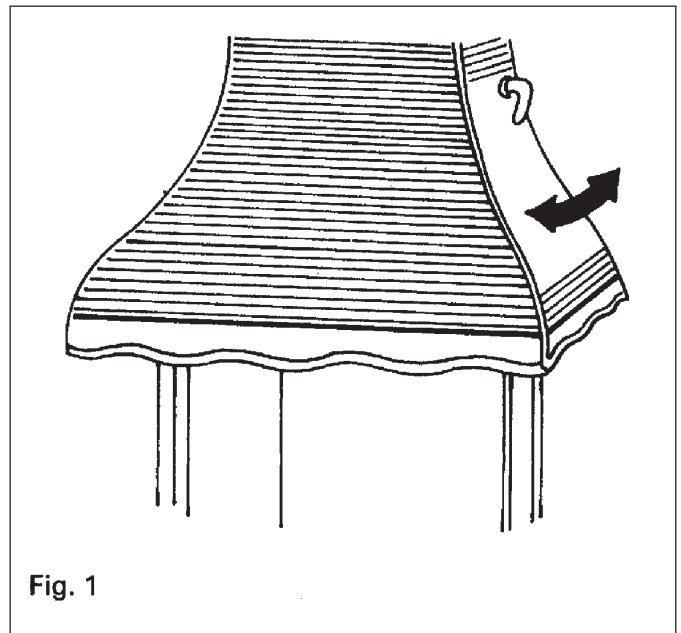
To control the rate of the burning, slide the regulator at the bottom of the fire front to the left to open, and to the right to close. See Fig. 2.

When burning coke, keep the firebox well filled and use a long thin poker to clear the ash from the bottom grate.

CHIMNEY CONTROL

The lever on the right hand side of the hood should usually be pushed back, see Fig. 1. This restricts the flue outlet and prevents waste of heat up the chimney. After fuelling with household coal, it may be necessary to open the flue by pulling the lever towards you to prevent smoking.

When the fire has burned up, push the lever back again. When burning household coal, soot deposits may adhere to the throat restrictor plate. Keep the plate outlet clear of soot by scraping it occasionally with a poker, or moving the plate sharply back and forward to knock off the soot.



OVERNIGHT BURNING

Before adding fuel for overnight burning, rake the firebars clear of ash and empty the ashpan. Add fuel as required.

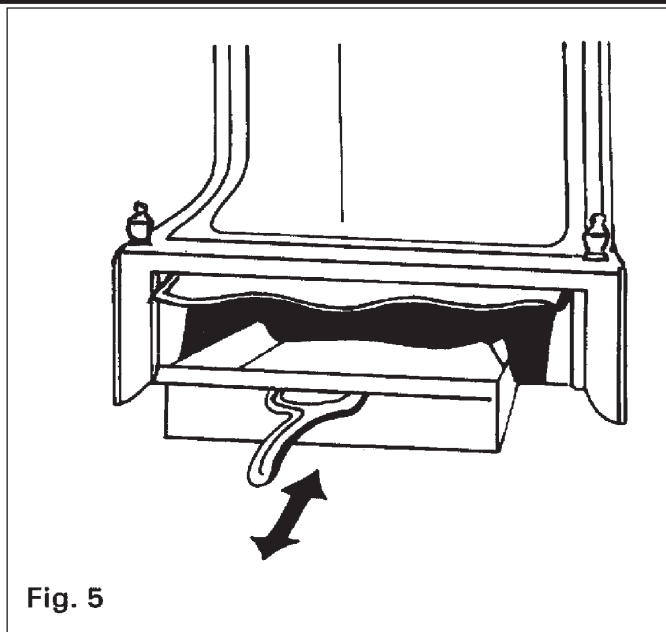
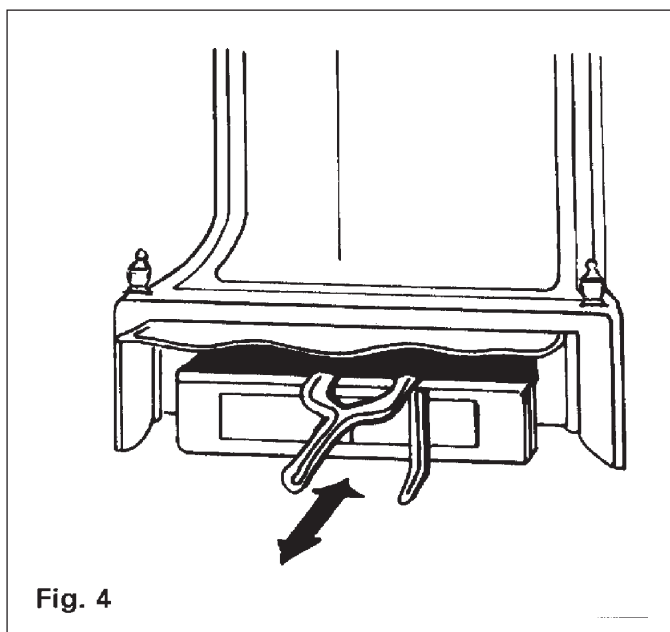
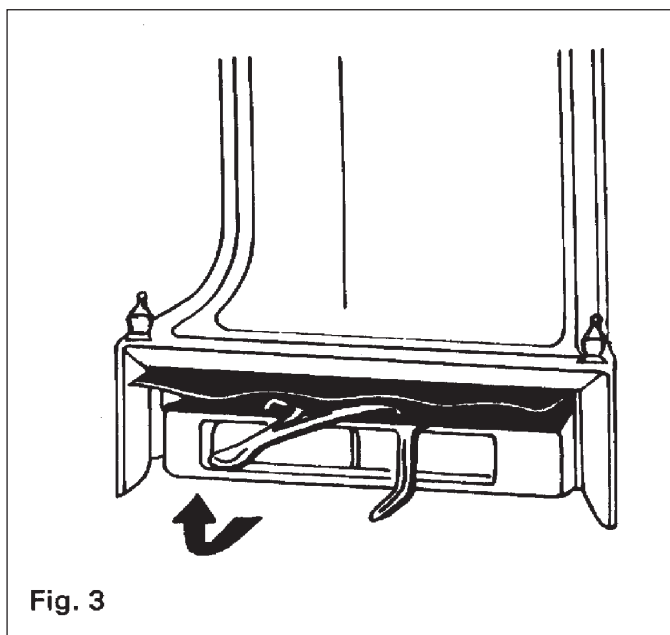
The correct setting for the air control must be found by experiment, but begin by closing it completely. A light covering of slack helps to slow down the rate of burning.

ASH

To remove the ashpan, raise the decorative front, see Fig. 3, lift off the ashpit door, see Fig. 4 and withdraw the ashpan with the tool provided, see Fig. 5.

When replacing, push the ashpan back as far as possible.

Empty the ashpan at regular intervals. If ash is allowed to accumulate until it touches the underside of the bottomgrate, the bottomgrate will quickly burnt out.



CHIMNEY SWEEPING

The chimney may be swept through the canopy when the throat restrictor is fully open. Any soot deposits on top of the register plate should be removed through access door in the plate. See access doors are airtight after replacing.

CHIMNEY FIRES

Failing to maintain your stove properly can lead to a chimney fire. Chimney fires occur when combustible deposits on the inner walls of the chimney ignite. These combustible deposits called 'creosote' are a natural by-product of woodburning. A fire hazard exists if 1/4" of creosote (or more) coats the inner walls of the chimney.

Prevention

Chimney fires do not occur in clean, intact properly installed chimneys. Have a professional chimney sweep clean and inspect your appliance at least once a year. More frequent cleaning maybe required, based on the type of fuel burned, the type of appliance and frequency of use. In general, an older appliance or one that is used frequently, will require more than one cleaning per year.

Detection

The first indication of a chimney fire is usually the noise, a roaring sound that grows louder as the fire's intensity increases. Clouds of black smoke and sparks will be seen exiting the top of the chimney, in severe fires, flames can extend several feet about the chimney.

Action

In case of a chimney fire, follow these steps but **DO NOT** put yourself or others in peril.

1. Call the fire brigade immediately.
2. Get everyone out of the property.
3. Close down the air supply to the appliance. Limiting the fire's air supply will reduce its intensity. If there is a damper in the chimney connector, plug or close the opening.
4. If a fire extinguisher is available, insert the nozzle of a 10lb dry chemical fire extinguisher rated for ABC fires and discharge the entire content into the appliance.

5. If possible, wet down the roof and other outside combustibles to prevent fires being ignited by shooting sparks and flames.
6. Closely monitor all combustible surfaces near the chimney. During severe chimney fires, these surfaces can become hot enough to ignite.

After a chimney fire, have the chimney inspected by a professional chimney sweep .

INSTALLATION INSTRUCTIONS

PERFORMANCE

The fire is intended to provide space heating and has been approved by HETAS LTD.

THE CHIMNEY

For correct operation of the appliance, the height of the chimney from its base should not be less than 5.5m (18ft) and terminate above the roof in accordance with current Building Regulations and requirements as outlined in BS 6461: 1984 Parts 1 and 2 should be observed. The structural flue through the chimney should not be less than 200mm diameter. Pargeted lined flues 230 x 230mm must be in sound condition, and any internal offsets should not be less than 60° to the horizontal. Check that the flue exit is not obstructed or reduced in size.

The vertical height between the appliance rectangular flue outlet and the bottom of the chimney structural flue should not be less than 380mm and open voids above the appliance must be omitted by corbelling the brickwork and flaunching the brickwork between the appliance and the base of the chimney flue.

Alternatively optional adaptors are available for connecting the appliance to the chimney flue, to avoid this extra brickwork and flaunching. See Page 8.

IMPORTANT: FAILURE TO OBSERVE THE RECOMMENDED MINIMUM SIZES OR METHODS OF FLUE CONNECTION MAY LEAD TO FUME EMISSION INTO THE ROOM AND REDUCED BURNING RATES.

EXISTING CHIMNEY

The internal and external condition of the chimney should be checked **before** the appliance is installed and rectification made where necessary to prevent air leakage or porosity.

The flue through the chimney should be formed with 200mm diameter minimum moisture and acid resistant liners to BS1181: 1971 or precast lining as specified in the current Building Regulations and requirements in BS 6461: 1984 Parts 1 and 2 should be observed.

When repairing existing chimneys, it is recommended that the Building Inspector be consulted before the commencement of work with particular attention to the chimney height and its terminations.

THE CHIMNEY SHOULD BE SWEEPED BEFORE INSTALLATION.

An installer must ensure that appropriate protective clothing is worn/issued when carrying out an installation that may result in the disturbance of asbestos.

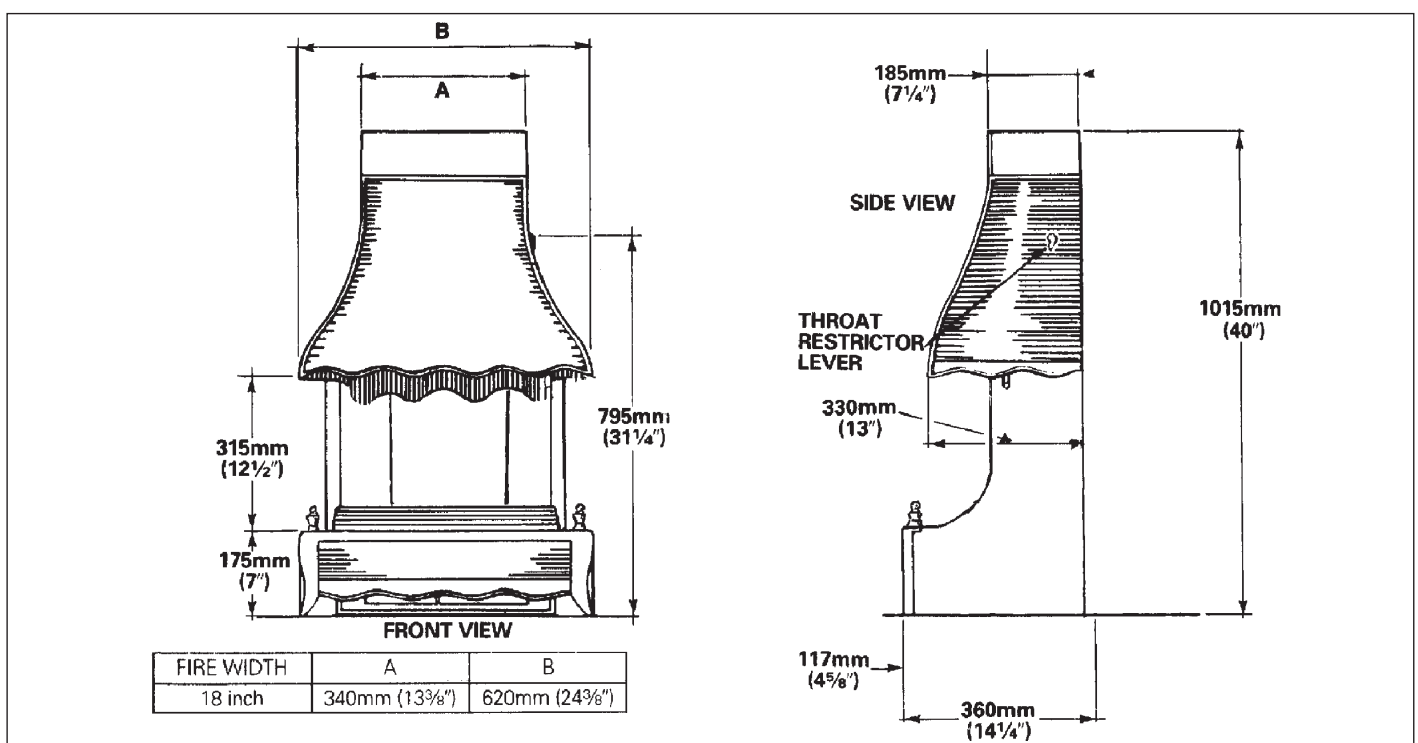
NEW CHIMNEY

The flue should not be less than 200mm diameter and its soundness confirmed by smoke testing or consulting the district S.F.A. (Solid Fuel Association - www.solid-fuel.co.uk) who will give advice on the test method.

Ensure the chimney liners are free of any internal projections such as building jointing composition before the appliance is installed.

FACTORY MADE INSULATED CHIMNEY - SEE FIG. 5

It is recommended that the internal face of the chimney, be refractory lined and otherwise comply with BS 4543. The recommended minimum diameter is 200mm and chimney manufacturers should be consulted for further advice.

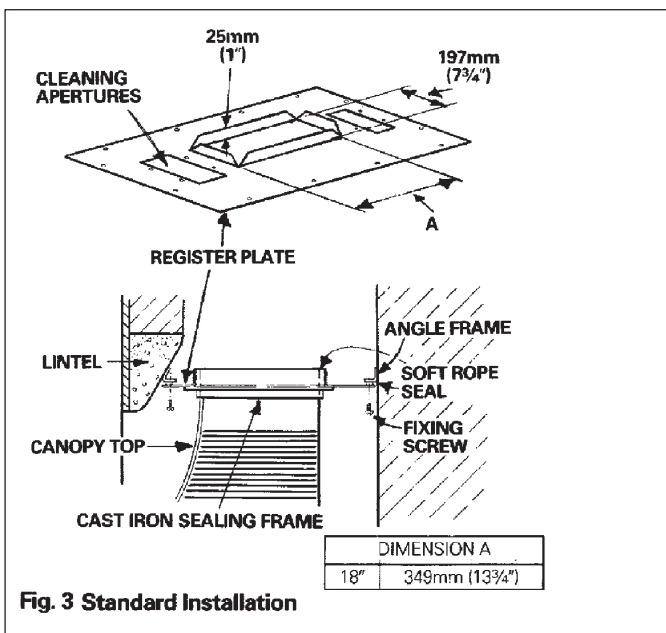
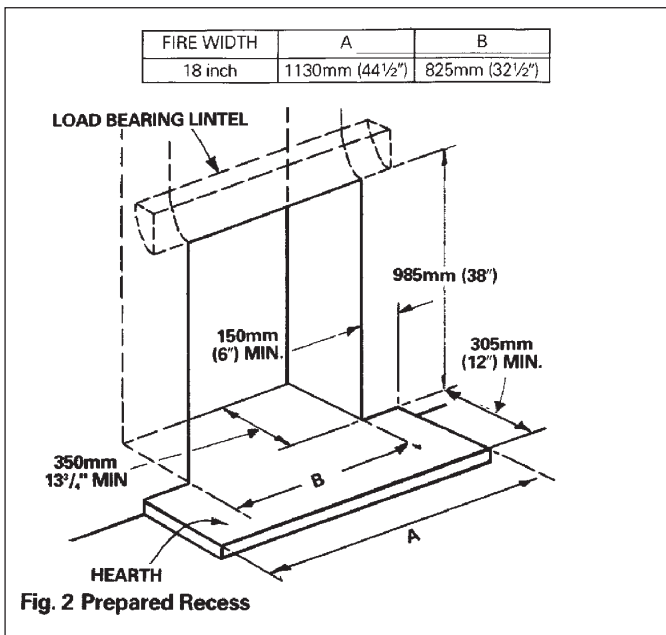


CHIMNEY TERMINATIONS

All chimneys should terminate above the roof level in accordance with current Building Regulations and as outlined in BS6461: 1984 Parts 1 and 2.

However well designed, constructed and positioned, the satisfactory performance of a flue can be adversely affected by the down-draughts caused by adjacent tall buildings and trees or even nearby hills. These deflect the wind creating a zone of high pressure over the terminal causing it to blow directly down the chimney flue. A suitable anti-downdraught terminal such as the MARCONE will usually effectively combat low pressure down-blow but no known cowl is likely to prevent downdraught due to a high pressure zone.

Advise the user to ensure the chimney flues are thoroughly swept at a minimum of 12 monthly intervals after the appliance is commissioned particularly if bituminous coal is consistently burned.



PREPARATION OF BUILDERS RECESS OPENING

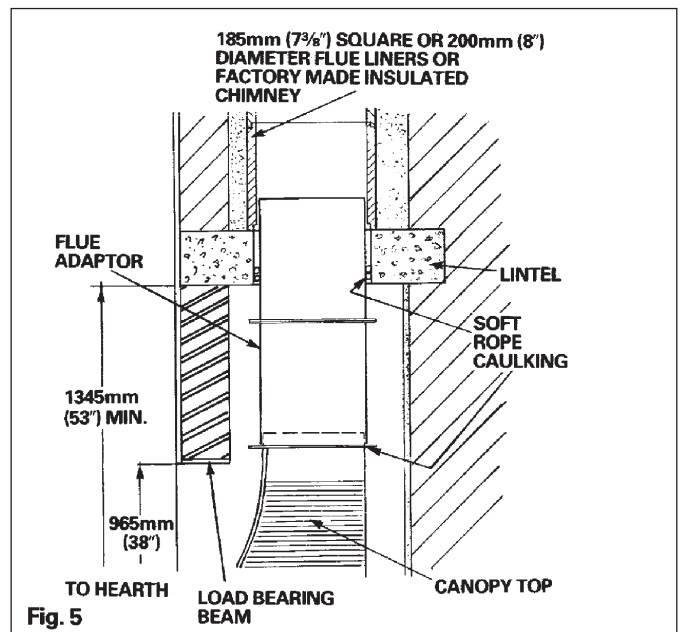
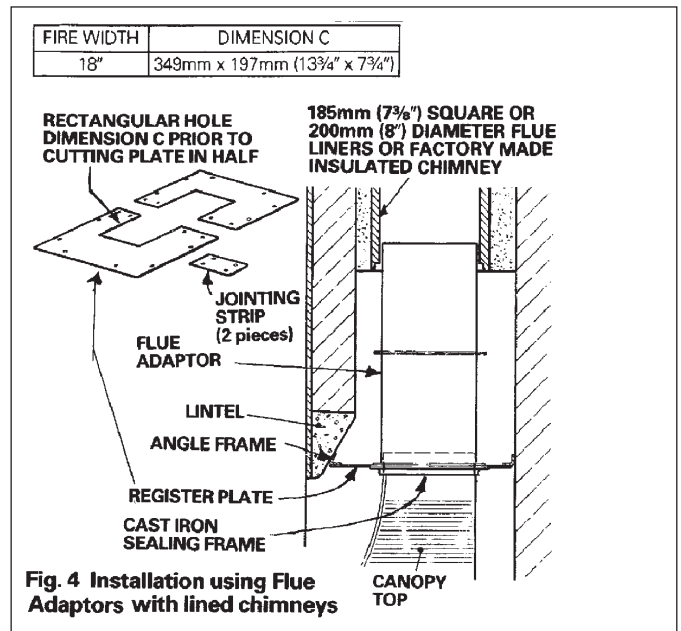
The appliance and recess, hearth and chimney flue installation should be in accordance with the relevant recommendations of the British Codes of Practice BS 8303: 1986 and BS 6461: 1984 Parts 1 and 2. and any relevant requirements of the Local Authority.

The appliance must only be installed in a non-combustible recess in which the hearth must be level and together with the adjacent walls conform to the current Building Regulations. See Fig. 2.

The recommended height of recess from hearth level to register plate is 965mm and recess depth of 350mm minimum. An allowance of 100mm minimum clearance each side of the canopy is required. The appliance dimensions for the 18" flue are shown on page 5.

AIR SUPPLY

A permanent unobstructed air vent is required having a minimum effective area of 160cm² and communicating directly to outside air or an adjacent room which itself has a permanent air vent direct to outside air.



AIR EXTRACT FANS

Current Building Regulations permit the installation of an air extract fan in a room containing a solid fuel appliance. The appliance must be able to operate effectively whether or not the fan is running. To this end:

1. Ensure the fan duty is capable of coping with the respective room volume. Avoid an oversize fan duty performance.
2. Follow the directions recommended by the fan manufacturers on the necessary air ingress needed for the fan or overhead cooker hood, then add this compensatory area to that recommended for the appliance primary air needs to form a permanent air vent.
3. Ensure the wall location of the fan does not deprive the appliance of primary air.

TESTING AND COMMISSIONING

After completing the installation, the Heating Contractor should demonstrate to the user, the operation of the fire, e.g. primary air setting lever and throat restrictor as well as the routine flue cleaning method.

1. If the height of the recess opening is higher than 965mm and cannot be reduced, fit an airtight metal extension (optional extra) or sleeve over the top of the canopy flue outlet.
The overlap joint should be caulked with soft rope to for a seal and the top of the sleeve should extend above the register plate by 50mm.
2. Should there be a large cavity or void above the register plate, a longer extension should be fitted to the fire outlet, extending to the throat or gather of brick flue. Alternatively, a purpose made adaptor (optional extra) may be fitted.

INSTALLATION

Due regard should be taken of the requirements of the Health and Safety at Work Act 1974 and care must be taken in handling the appliance to the site installation with aids used wherever possible.

The caustic nature of fire cement can affect the skin when being applied and efforts should be made to remove cement from hands immediately after by washing, or preferably use of barrier gloves.

The Aga Rembrandt fire is delivered completely assembled and ready for fixing.

1. Standard Installation - Fig. 3.

The top of the recess must be sealed, preferably by a sheet metal register plate with a completed rectangular flanged clearance slot 349mm wide x 197mm deep. Cut the slot about 50mm smaller than the completed size and strip the corners to mitre followed by a plunged 25mm upwards bend.

The register plate should incorporate an airtight access door/opening for the removal of any soot which may accumulate on top of the register plate. Avoid large pockets and voids between the register plate and flue by suitable filing where possible. It is essential that no air is allowed to reach the chimney flue except through the canopy throat.

A conventional method of securing and sealing the register plate is to secure an angle frame all round the walls of the recess and attach the register plate to the frame with fixing screws ensuring the joint is sealed with soft rope and fire cement.

2. a. **Lined Chimney with Flue Adaptor Installation**
 - (i) **With existing recess - Fig. 4**
 - a. Cut a rectangular slot 349mm wide x 197mm deep for the register plate. Cut the register plate into two halves leaving a LH and RH section and drill fixing holes in each section for future connection by jointing strip. (See Fig. 4).
 - b. Position adaptor in recess above lintel level and temporarily wedge in position.
 - c. Locate and fix register plate support frame to brickwork.
 - d. Position appliance in recess concentrically below chimney flue and lower wedged adaptor on to outlet of appliance.
 - e. Attach jointing strip to one section of register plate and seal secure register plate section to angle support frame. Holding adaptor with one hand, drill hole through register plate section and flange of adaptor and secure together by screw.

NOTE: THIS PREVENTS THE ADAPTOR LIFTING WHEN SWEEPING CHIMNEY BY BRUSH. JOIN OTHER REGISTER PLATE SECTION IN SIMILAR FASHION TO OTHER AND SECURE SECTIONS TOGETHER BY FIXING SCREWS IN JOINTING STRIP.

2. b.(ii) **With Prepared Recess - See Fig. 5**
 - a. Prepare recess at least 830mm wide x 1345mm high but without front wall below lintel.
 - b. Position adaptor as high as possible with spigot located through hole in lintel and temporarily wedge in position.
 - c. Locate appliance concentrically below chimney flue and lower wedged adaptor on to outlet of appliance. Caulk soft rope between adaptor spigot and lintel clearance hole ensuring a permanent airtight joint.
 - d. Finish brickwork beneath lintel complete with brick bearer and forming the front height of recess at 965mm.
3. With the appliance in position, carefully seal the fire front to hearth with cement making an airtight joint.

NOTE: WHEN INSTALLING THE FLUE ADAPTOR, THE GAP BETWEEN THE REGISTER PLATE AND APPLIANCE CANOPY SHOULD BE SEALED WITH SOFT ROPE HELD IN POSITION BY THE CAST IRON CLAMPING FRAME AROUND THE CANOPY.

COMMISSIONING

When lighting, place paper and sticks with a small quantity of fuel on to the bottom grate. Open the ashpit door fully via the lever and set the throat restrictor at fully open by pulling the canopy handle as far forward as possible. Ignite fuel and when established, set throat restrictor to minimum by pushing the canopy handle as far away as possible and the other controls to suit requirements.

With the appliance under fire, check for soundness of seals/joints and that the flue functions correctly permitting all smoke and fumes to be vented through the chimney.

TESTING AFTER COMMISSIONING

After completing the installation, the Heating Contractor should demonstrate to the User, the operation of the appliance and the routine flue cleaning method.

Ensure the Owners manual is left in possession of the User.

Weight of complete appliance: 18" Rembrandt 102Kg
(224lb)

Replacement parts if required are available through your local Stockist.

Optional Flue Adaptors available from your stockist.

18" St. Steel Rectangular Extension F1151

18" St. Steel Rectangular to Round 200mm F1023
Flue Pipe Adaptor

**For further advice or information contact
your local Aga Specialist**

With Aga's policy of continuous product improvement, the Company reserves the right to change specifications and make modifications to the appliance described and illustrated at any time.



Manufactured by
Aga
Station Road
Ketley Telford
Shropshire TF1 5AQ
England

www.aga-web.co.uk
www.agacookshop.co.uk
www.agalinks.com