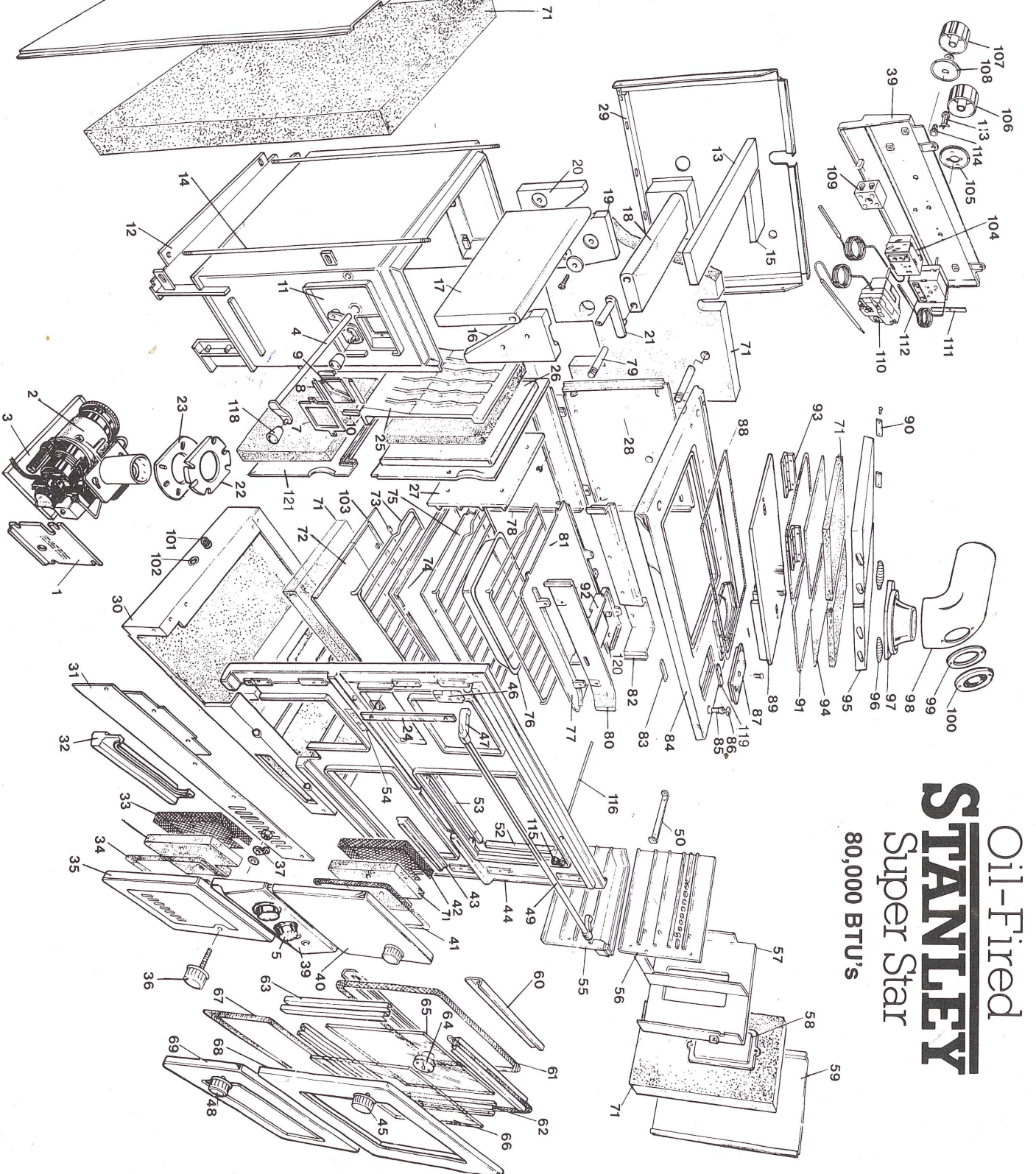


- 1 Burner Cover Plate
- 2 Burner
- 3 Drip Tray
- 4 Control Knobs
- 5 Cover Plate to Damper Rod
- 6 Viewing Glass Frame
- 7 Viewing Gasket
- 8 Viewing Glass Gasket Side
- 9 Viewing Glass Chamber
- 10 Front Panel
- 11 Burner Top Baffle Side
- 12 Boiler Rods
- 13 Boiler Top Baffle Back
- 14 Combustion Chamber Front Baffle
- 15 Oven Baffle
- 16 Combustion Chamber Back Baffle
- 17 Oven Baffle
- 18 Combustion Chamber Back
- 19 Burner Baffle
- 20 Corner Baffle
- 21 Oven Baffle Lever
- 22 Burner Gasket
- 23 Burner Gasket Plate
- 24 Boiler Capillary Cover
- 25 Oven Protecting Plate
- 26 Outside Oven Side Plate LH
- 27 Inside Oven Side Plate LH
- 28 Top Oven Back
- 29 Back Panel S1
- 30 Base
- 31 Bottom Grill
- 32 Front Insert
- 33 Burner Door Mesh
- 34 Burner Door Sealing Rope
- 35 Burner Door
- 36 Door Knob
- 37 Door Catch
- 38 Insulating Cover
- 39 Control Panel
- 40 Fire Door
- 41 Fire Door Sealing Rope
- 42 Fire Door Mesh
- 43 Cleaning Door to Front
- 44 Front Frame
- 45 Oven Door Knob
- 46 Door Hinge
- 47 Towel Rail Bracket
- 48 Warming Oven Door Knob
- 49 Towel Rail
- 50 Capillary Bracket
- 51 Open Capillary Phile
- 52 Capillary Covering Side
- 53 Capillary Covering Bottom
- 54 Label
- 55 Warming Oven Side
- 56 Top Oven Side RH
- 57 Fuelway
- 58 Fuelway Blanking Plate
- 59 Side Panel RH
- 60 Oven Glass Relating Clip
- 61 Oven Door Sealing Rope
- 62 Oven Glass Sealing Rope
- 63 Window Frame
- 64 Dial
- 65 Oven Door Glass with Dial
- 66 Oven Glass without Dial
- 67 Warming Door Sealing Rope
- 68 Warming Door
- 69 Warming Door Side Panel LH
- 70 Insulation Wood
- 71 Warming Oven Base Plate Front
- 72 Oven Shelf
- 73 Warming Oven Top
- 74 Top Oven Bottom Plate
- 75 Oven Baking Tin
- 76 Oven Baking Tin
- 77 Oven Top
- 78 Bottom Oven Back
- 79 Steam Escape (only on Balanced Flue)
- 80 Front Top Flue Guide

- 81 Fixed Damper
- 82 Back Top Flue Guide
- 83 Cleaning Plate to Hob Retaining Clip
- 84 Hob
- 85 Stay Nut
- 86 Cap to Stay Nut
- 87 Cleaning Plate to Hob Hob Sealing Rope
- 88 Hob
- 89 Hopplate
- 90 Hopplate Pads
- 91 Hopplate Sealing Rope
- 92 Oven Baffle
- 93 Hopplate Cover Hinge
- 94 Plate to Hopplate Cover
- 95 Hopplate Cover
- 96 Handle to Hopplate Cover
- 97 Venturi Collar
- 98 Exhaust Bend
- 99 Gasket to Bend
- 100 Cleaning Door to Bend
- 101 Cable Gland Nut
- 102 Rubber Grommet
- 103 Warming Oven Base Plate Rear
- 104 High Limit Thermostat
- 105 Basil
- 106 Boiler Control Knob
- 107 Oven Control Knob
- 108 Basil (Oven)
- 109 Thermo Block
- 110 Oven Thermostat
- 111 Capillary Cover
- 112 Boiler Thermostat
- 113 Neon Indicator (2 off)
- 114 Limit Re-set Cover
- 115 Oven Damper Knob
- 116 Oven Damper Axle
- 118 Control Knob (2 off)
- 119 Hopplate Retaining Clip
- 120 Oven Top
- 121 Extension Warming Oven Side L.H.



Oil-Fired
STANLEY
 Super Star
 80,000 BTU'S